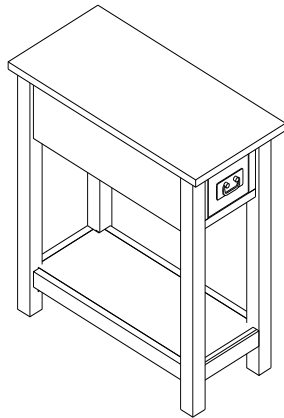


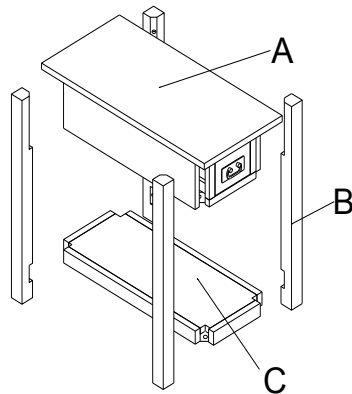
# Mission Chairside End Table



Thank you for purchasing our Mission Chairside End Table. We have found it helpful to have a second person present in at least one step of the assembly.

## Mission Chairside End Table Assembly Instructions

Lay out all parts on a "non-abrasive" surface to avoid scratching furniture.



NO.	DRAWING	DESCRIPTION	QTY.
A		TOP	1
B		POST	1
C		SHELF	1
D		M6*35mm BOLT	12
E		HEX WRENCH	1
F		HANDLE	1
G		HANDLE SCREWS	2

### PARTS

### Step 1

Read through these instructions thoroughly before beginning assembly. We have found this to be of great value when first assembling this product.

### Step 2

Remove all parts and hardware from packing material. Wooden pieces should be placed on a non abrasive surface (like the carton or carpet) to prevent damage to the finish.

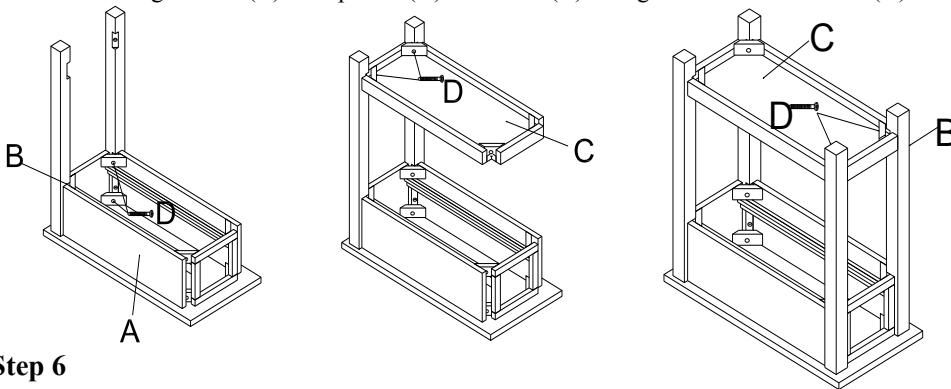
### Step 3,4 and 5

Remove drawer from Top Unit (A). Lay Top Unit upside down and attach 2 Posts (B) by using 2 M6 x 35mm Bolts (D).

**Note: It will help to have a second person at this time to assist in assembly.**

Put shelf (C) into slots in Legs (B) and attach to Legs (B) using 2 M6 x 35 Hex Bolts (D).

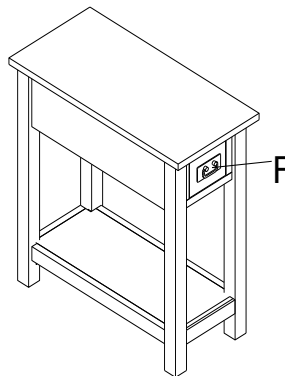
Attach remaining 2 Posts (B) to Top Unit (A) and Shelf (C) using 4 M6 x 35 Hex Bolts (D).



### Step 6

Place End Table right-side up.

Attach Handle (F) using 2 Handle Screws (G).



---

### CARE

Clean with mild soap and wipe dry.

---

### REPLACEMENT PARTS:

For best service, to order replacement parts go to [www.alaterrefurniture.com](http://www.alaterrefurniture.com). Use the order form on the web site to order your replacement parts. **Thank You!**